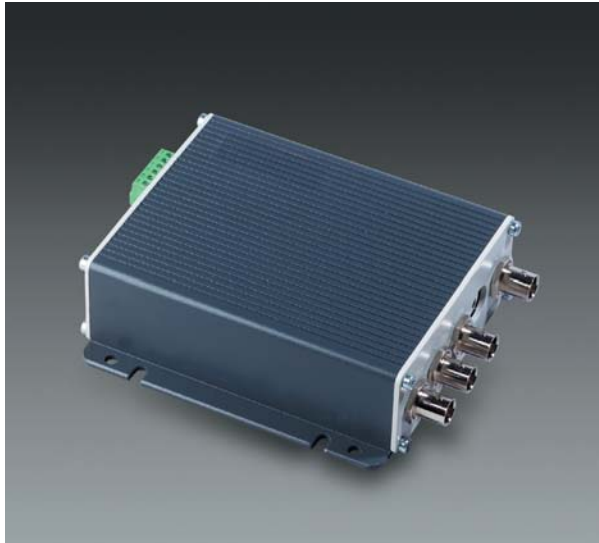




IPKIT-3200

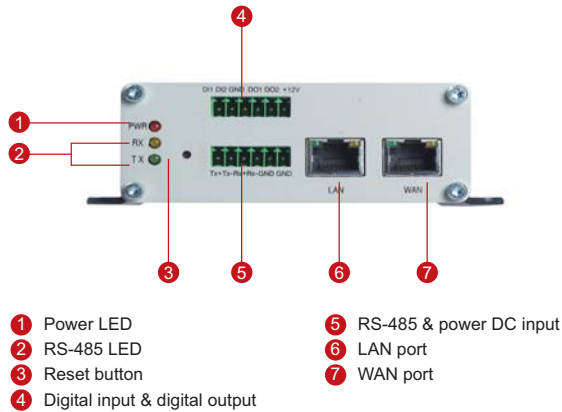


- VideoSm@rt Software and One IP Decoder License
- Up to full D1 MPEG-4 Video decoding
- Supports both regular TV system and digital-TV
- QoS enabled (L2, L3) video streaming (UniCast/MultiCast)
- Digital time code retrieved
- Dual MPEG-4 video stream output via LAN and WAN (PPPoE supported) ports at the same time
- DDNS supported

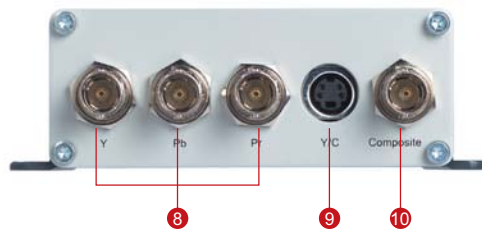


Receive digital data and decode to analog image without losing quality

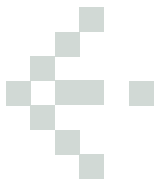
The IPKIT-3200 is a high resolution, Ethernet ready (LAN and WAN) digital video transcoder. Via an Ethernet network such as LAN or WAN, the IPKIT-3200 takes a MPEG-4 stream from a specific Ortega network camera or video server, and converts it in real-time with high quality analog video signals. This allows analog video devices such as TV system, analog monitors or existing analog video switches to be connected to an Ortega IP-base video system.



- | | |
|----------------------------------|---------------------------|
| ① Power LED | ⑤ RS-485 & power DC input |
| ② RS-485 LED | ⑥ LAN port |
| ③ Reset button | ⑦ WAN port |
| ④ Digital input & digital output | |



- | |
|-----------------------------------|
| ⑧ Analog video output (YPbPr) |
| ⑨ Analog video output (Y/C) |
| ⑩ Analog video output (Composite) |



IPKIT-3200

PRODUCT SPECIFICATIONS

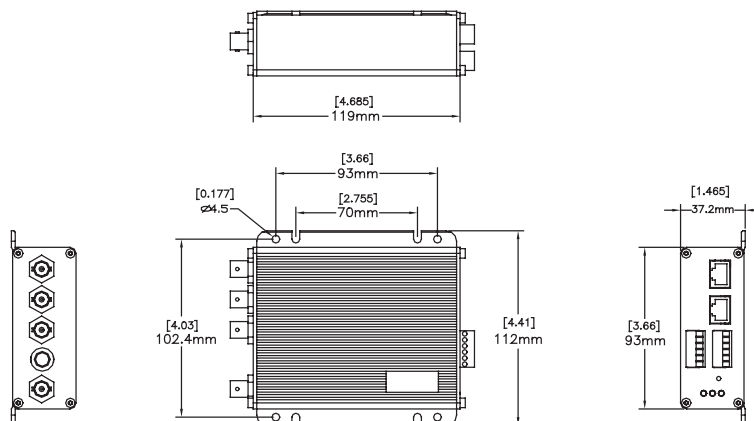
Image System	
Compression	MPEG-4 decoding
Resolution	CIF (352 x 240 in NTSC, 352 x 288 in PAL) Full D1 (720 x 480 in NTSC, 720 x 576 in PAL)
Image Frame Rate	30 fps at full D1 resolution (NTSC) 25 fps at full D1 resolution (PAL)
Network	
Protocol Supported	TCP, UDP, HTTP, PPPoE, DDNS, DHCP, IGMP
QoS	Layer 2, 3
I/O Interface	
WAN Port	RJ-45 x1 (10/100base-T)
LAN Port	RJ-45 x1 (10/100base-T)
Serial Port	Terminal Blocks (RS-232/422/485)
Analog Video Output	Composite, BNC connector x 1 Y/C, S Connector x 1 YPbPr, BNC connector x 3
Isolated Digital Output	Terminal blocks x2 • Logic Level 0: 0.1 ~ 0.6 V • Logic Level 1: 2.4 ~ 5 V
Isolated Digital Input	Terminal blocks x2 • Logic Level 0: 0 ~ 0.4 V • Logic Level 1: 3.3 ~ 30 V

Mechanical & Environment	
Dimensions (W x H x D)	36.5 mm x 119 mm x 93 mm (0.93" x 3.02" x 2.36")
Weight	350 g (0.66 lb)
Power Requirement	12 V / 0.61 A / 7.3 W
Operation Temp.	5 °C ~ 50 °C (40 °F ~ 122 °F)
Humidity	RH10 % ~ 90 %
Others	
Watch Dog Timer	5 sec.
Security	Password/username protection for restricted camera access • DI/O event triggered via remote Video Server • Built-in Web Server and network interface
General Functions	
Software OS Supported	Win 2000, Win XP, Win 2003
Certification	CE, FCC Class B

ORDERING INFORMATION

Model Name	Description
IPKIT-3200	MPEG-4, full D1 resolution, IP video decoder and VideoSm@rt software with one decoder license

DIMENSIONS



Units: mm [inch]